

CANTY

PROCESS TECHNOLOGY

HYL SERIES 80W, 50W Fiber Optic Flex Bundle Lighting Systems



HOW IT WORKS

Canty fiber optic lighting systems have been designed to provide efficient, high output tungsten-halogen light in a cost effective package. Conventional methods of lighting through a sightglass are ineffective since a majority of the light is reflected off of the sightglass. Canty uses only high quality, flexible fiber optic light pipes to fiber-optically guide the light from our light source through a sightglass or process connection. The light is elliptically focused into the fiber optic light pipe and guided through the sightglass, minimizing losses while maximizing your tank or vessel lighting!

LIGHTING PACKAGES

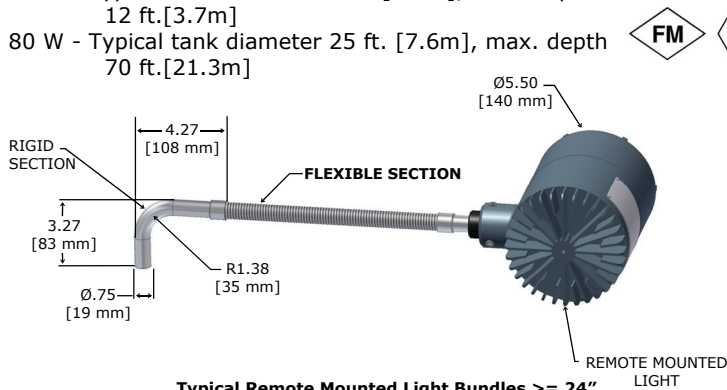
Our flexible bundle lighting systems are available with a variety of high quality Canty lights and process connections. We offer both weather proof and explosion proof/flame proof lights with a variety of power supply options and mounting connections to meet all of your process needs.

Our flexible bundle lighting systems are designed to work with any sightglass, whether it's your existing sightglass or a Canty safety Fuseview™ sightglass. We offer many standard sightglass mounting connections to easily illuminate one, two or three sightglasses using only one Canty light.

Model Recommendation

50 W - Typical tank diameter 8 ft. [2.4m], max. depth 12 ft.[3.7m]

80 W - Typical tank diameter 25 ft. [7.6m], max. depth 70 ft.[21.3m]



Typical Remote Mounted Light Bundles >= 24"

SPECIFICATIONS

Fiber Optic Bundle

- Construction: Multi-fiber glass bundle
- Exterior: Crush resistant outer tubing
- Termination: Stainless steel, .75" diameter. 205° max. at tip
- Configuration: Single, two or three leg bundles are available
- Lengths: 12" - 108" lengths are available. Consult factory for additional sizes.

Lighting Systems

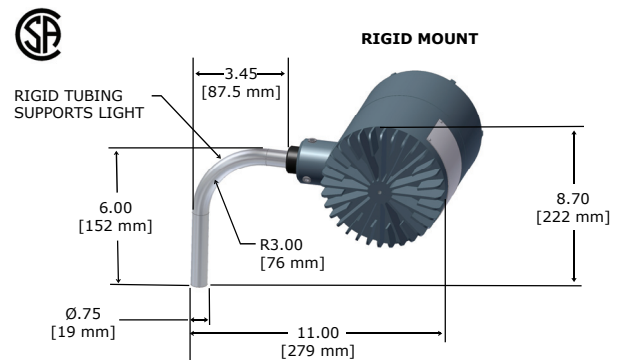
- 50W and 80W lights are available to cover all your process requirements
- Weather proof, explosion proof, flameproof, and IP66 models are available
- Various models are FM approved, CSA approved and approved to ATEX directives
- Canty offers a variety of power supplies to best suit the needs of your application

MOUNTING CONNECTIONS

- Sightglass mount-universal mounting bracket is designed to function with any flange mounted sightglass. Standard brackets are constructed of aluminum or SS.
- NPT mounting connection - flexible bundle may connect to vessel using a 1" NPT threaded connection. Available in 316L SS, Hastelloy® or equal or glass wetted materials
- Tri-Clamp®-sanitary vessel connection. Ideal for

FEATURES

- Flexible fiber optic light bundle provides a high intensity light output
- NEMA 4, IP66, Explosion proof (Class I, Div. 1, Groups B, C & D, Class II, Div. 1, Groups E, F & G) or Flameproof Eex d IIC T6 light options
- Fused glass seal provides a safe, reliable, hermetic seal between electronics and the process area
- Various models feature FM, CSA, approval to ATEX directive
- Canty lights provide the maximum illumination possible
- Cool light output - there is no product bake-on



Typical 12" Direct Mount Light Bundle Models

CANTY JM Canty Inc Buffalo, NY USA
JM Canty Intl Ltd Dublin, Ireland

Ph: (716) 625 4227
Ph: + 353 (01) 882 9621

Fax: (716) 625 4228
Fax: +353 (01) 882 9622

Ordering Information

HOW TO ORDER: Select the appropriate symbols and build a part number as shown.

Recommended options are listed in bold.

EXAMPLE:

H E U 7 0 S

LIGHT SOURCE SELECTION

Weather Proof (WP) / IP Lights	Explosion Proof (EXP) / Flame Proof (FP) Lights
<i>Integral Transformer Models. Separate Power Supply Not Required</i>	
EM - 80 W, 120V AC input direct to light. WP rating. E1 - 80 W, 230V AC input direct to light. IP rating. EL - 50 W, 120V AC input direct to light. WP rating. EE - 50 W, 230V AC input direct to light. IP rating.	HE - 80 W, 120V AC input direct to light. EXP rating. E7 - 80 W, 230V AC input direct to light. FP rating. HN - 50 W, 120V AC input direct to light. EXP rating. NK - 50 W, 230V AC input direct to light. FP rating.
<i>Separate Transformer / Power Supply Models</i>	
HB- 80 W, WP light with separate 120V AC input power supply. E9- 80 W, IP light with separate 230V AC input power supply.	HD - 80 W, EXP light with separate 120V AC input power supply. E6 - 80 W, FP light with separate 230V AC input power supply. EN - 50 W, EXP light with separate 120V AC input power supply. EG - 50 W, FP light with separate 230V AC input power supply.

BUNDLE MATERIAL

S = 304 SS Sheathing
P = Polyolefin Sheathing Over 304 SS
 See note 4.

BUNDLE LENGTH

0 - 12" Rigid Bundle
 1 - 24" Flex Bundle
 2 - 36" Flex Bundle
 3 - 48" Flex Bundle
 4 - 60" Flex Bundle
 5 - 72" Flex Bundle
 8 - 96" Flex Bundle
 A - 120" Flex Bundle
 C - 144" Flex Bundle

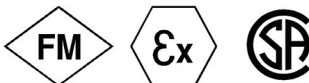
BUNDLE SELECTION

7 - Single Leg Bundle with one 90° Bend at End. 205° C Max at Tip.

POWER SUPPLIES

Weather Proof /IP Light Models	Explosion Proof / Flame Proof Light Models
<p>(EM/E1) 80 Watt WP/IP Lights with Integral Transformer U - Customer supplies ON/OFF switch as required. J - NEMA 4X / IP66 enclosure with switch. 120V AC input. P - NEMA 4X / IP66 enclosure with switch. 230V AC input.</p> <p>(HB/E9) 80 Watt WP/IP Lights with Separate Power Supply 9 - NEMA 4X / IP66 power supply with switch. User supplies 120V AC (WP models) or 230V AC (IP models). 0 - NEMA unrated / IP00 bare transformer. User supplies 120V AC (WP models) or 230V AC (IP models).</p> <p>(EL/EE) 50 Watt WP/IP Lights with Integral Transformer U - Customer supplies switch as required.</p>	<p>(HE/E7) 80 Watt EXP/FP Lights with Integral Transformer U - Customer supplies ON/OFF switch as required. P - Explosion proof enclosure with switch. 120V AC input. See note 5.</p> <p>(EN/EG) 50 Watt EXP/FP Lights with Separate Power Supply N - NEMA unrated / IP00 bare transformer. User supplies 120V AC (EXP models) or 230V AC (FP models). H - No power supply. User supplies 12V AC or 12V DC, 50W (min.) source.</p> <p>(HD/E6) 80 Watt EXP/FP Lights with Separate Power Supply J - Explosion proof power supply. 120V AC input. See note 5. N - NEMA unrated / IP00 bare transformer. User supplies 120V AC (EXP models) or 230V AC (FP models).</p> <p>(HN/NK) 50 Watt EXP/FP Lights with Integral Transformer U - Customer supplies ON/OFF switch as required.</p>

WP = Weather Proof
 EXP = Explosion Proof
 FP = Flame Proof
 IP = Ingress Protection



Mounting Brackets - Required to Mount Light to New or Existing Sight Glass. Sold Separately.

12" Fiber Optic Bundle Bracket Options
 LC4305-33 2" - 8", 150 # ANSI Sight Glass Mt.

24" and Larger Fiber Optic Bundle Bracket Options
 LC4305-60 Universal Flanged Sight Glass Mt. Bkt.

Reference datasheets TD10811-100 and TD10811-200 for details.

Notes :

- 1) Vessel lighting diameter, depth specifications provided are a general guideline for stainless steel tanks with 30° normal beam conical light output option. For blue glass lined reactors, which will absorb visible wavelengths of light, a derating factor of 0.7 is recommended.
- 2) All Explosion Proof lights are rated for use in Class I, Div. 1, Groups B, C and D, Class II, Div. 1, Groups E, F & G as well as NEMA 4 locations. Power supply ratings vary with model.
- 3) All Flame Proof lights are approved for use in EExd II C T6 and IP 66 locations.
- 4) For all models, bundle end fittings are 304L SS for light collector, emitter.
- 5) Explosion proof power supply enclosures are rated use in Class I, Div. 1, Groups C and D, Class II, Div. 1, Groups E, F & G locations.